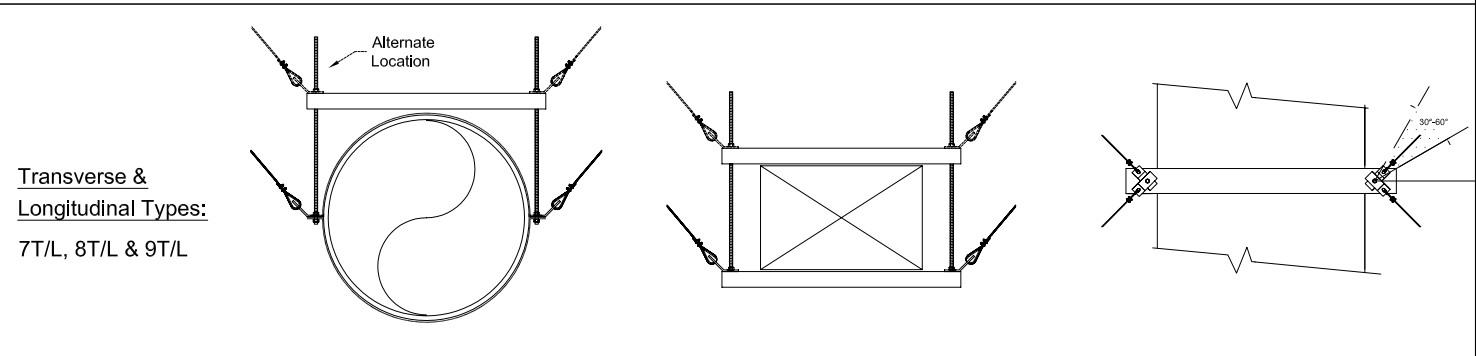
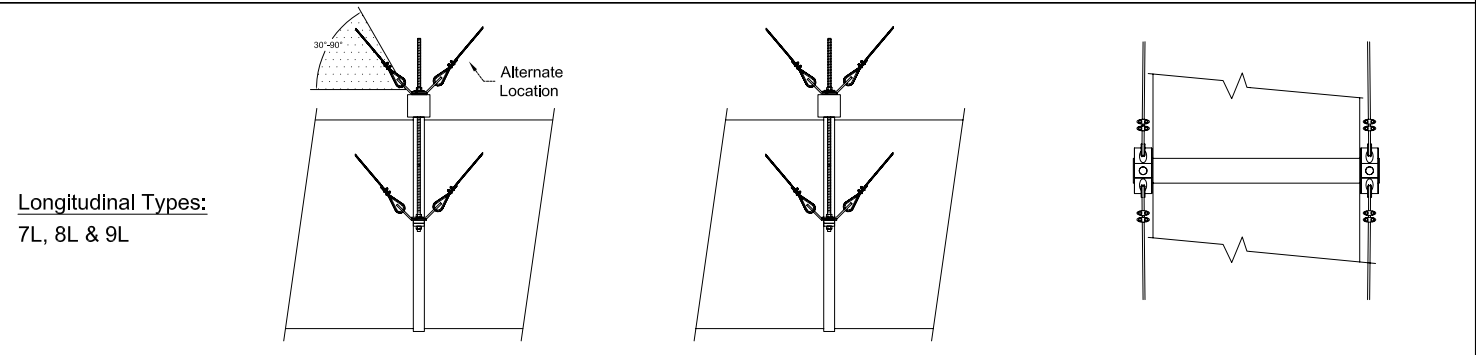
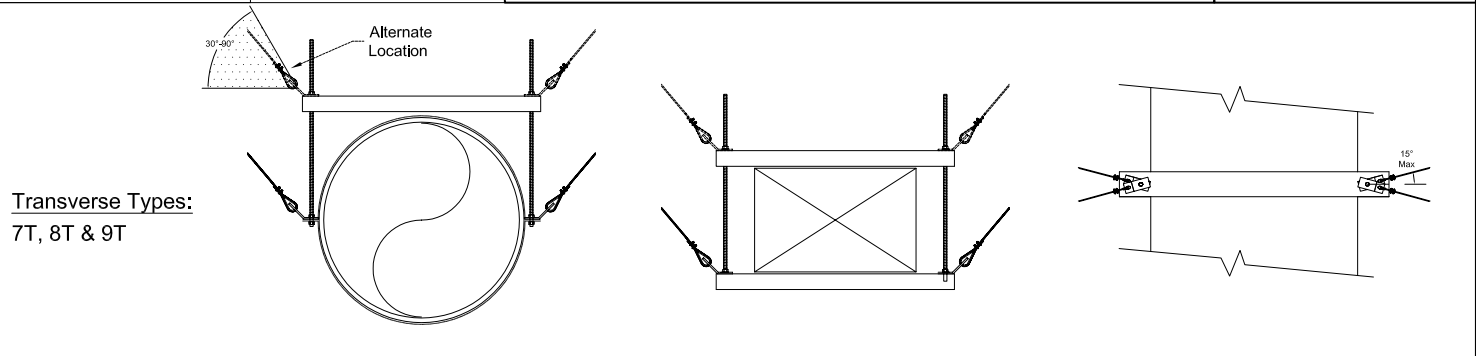




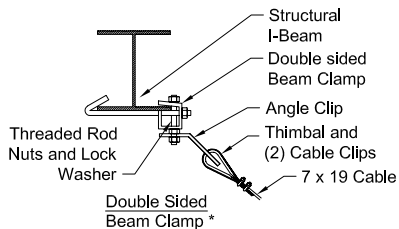
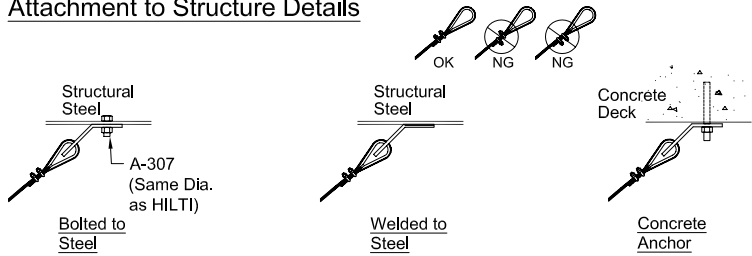
Novia Associates, Inc.  
 1 Northwestern Dr.  
 Salem, NH 03079  
 Ph: 603-898-8600  
 Fax: 603-898-2755  
 email: info@noviaassociates.com

PROJECT: \_\_\_\_\_  
 CUSTOMER: \_\_\_\_\_

**4-Cable  
 Seismic  
 Restraint  
 Types 7, 8, & 9**  
 SD DUCT 7-8-9 12/06/06



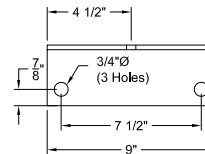
**Attachment to Structure Details**



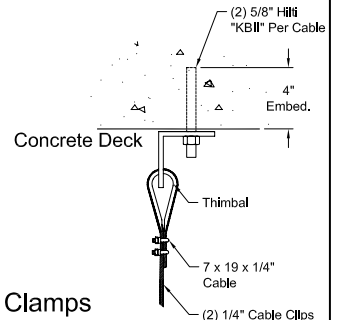
**Concrete Anchors**  
 Type 7 =  $\frac{3}{8}$ " x  $2\frac{1}{2}$ " Embedment  
 Type 8 =  $\frac{5}{8}$ " x 4" Embedment  
 Type 9 = (2)  $\frac{5}{8}$ " x 4" Embedment

**Notes:**

1) For Restraint Type 9 use (4) L3 x 3 x 9"  
 $\frac{1}{4}$ " Angles at connections to structure instead of  
 45° angle clips



**\* By Others**  
 Hilti's, Nuts, Bolts,  
 Washers, & Beam Clamps



**Type 9**

BY:

DATE:

DWG#: