



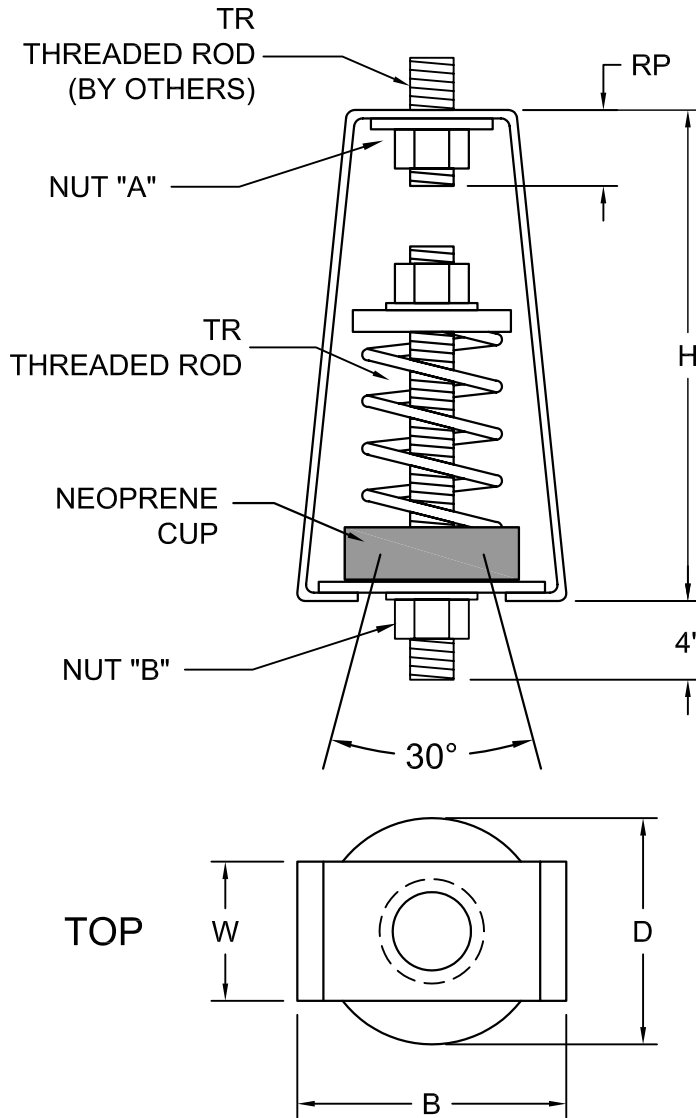
Novia Associates, Inc.  
 1 Northwestern Dr.  
 Salem, NH 03079  
 Ph: 603-898-8600  
 Fax: 603-898-2755  
 email: info@noviaassociates.com

PROJECT: \_\_\_\_\_

CUSTOMER: \_\_\_\_\_

# RSH

1" DEFLECTION  
 SPRING HANGER  
 RSH 100 10/04/06



### SPRING DATA

SIZE	RATED CAPAC (LBS)	*RATED DEFL (IN)	SPRING CONST (LBS/IN)	COLOR
A-29	29	1.16	25	ORG
A-59	59	1.17	50	RED
A-75	75	1.00	75	BLUE
A-103	103	1.03	100	GRN
A-136	136	1.01	135	BLK
A-200	200	1.00	200	GRAY
B-261	261	1.44	250	ORG
B-371	371	1.24	300	RED
B-640	640	1.28	500	BLUE
B-731	731	1.04	700	BLK
B-908	908	1.01	900	GRAY
C-1061	1061	1.06	1000	ORG
C-1268	1268	1.01	1250	RED
C-1608	1608	1.07	1500	BLUE
C-1811	1811	1.03	1750	GRN
C-2000	2000	1.00	2000	BLK
C-2450	2450	1.00	2450	GRAY

SIZE	SPRING O.D.	FREE HGT	RATIO OD/OH
A	1.50"	2.500"	1.00 - 1.13
B	2.00"	3.375"	0.84 - 0.96
C	3.00"	4.375"	0.89 - 0.91

### RSH DIMENSIONS (IN)

SIZE	H	W	B	T	D	RP	TR
A	5 1/4	2	2 3/4	2 3/4	N/A	1	1/2
B	7 1/8	2	3 7/8	2 7/16	3 1/4	1 3/8	3/4
C	9 3/4	2 1/2	5 1/2	4 3/8	4 3/4	2	1

\*Published ratings allow for 30% additional travel to solid. For 50% additional travel, use the following table:

SIZE	*DERATED CAPAC (LBS)	DEFL (IN)
C-2450	2061	0.84

### CERTIFICATION DATA

Threaded rod sizes shown will be used unless otherwise specified.

Hangers are pre-compressed to 65% of Rated Capacity. When hangers are under full operational load, springs should compress an additional 1/4" ±.

Nut "B" and washer should be free. Loosen Nut "B" if it is not free. If pipe elevation changes (moves upwards) compensate by loosening Nut "A".

Standard Finish:  
 RSH- A Hot Dip Galvanized  
 RSH- B & C Painted

BY:

DATE:

DWG#: