

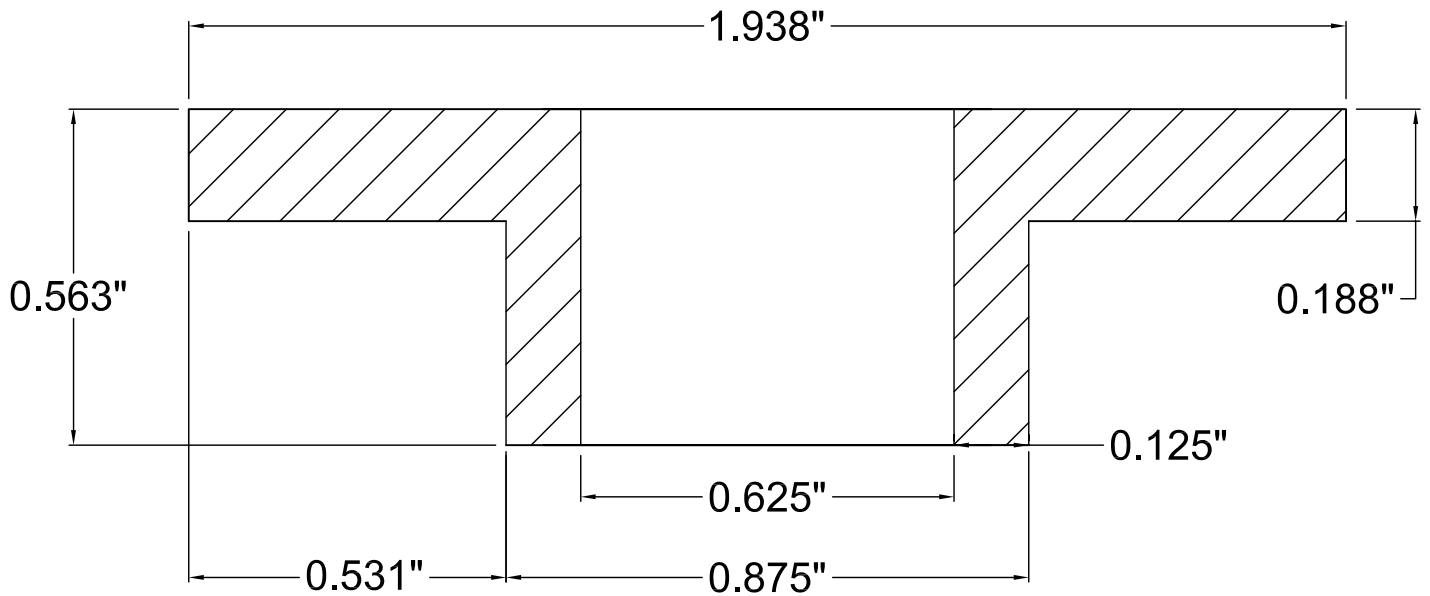


Novia Associates, Inc.
 1 Northwestern Dr.
 Salem, NH 03079
 Ph: 603-898-8600
 Fax: 603-898-2755
 email: info@noviaassociates.com

PROJECT: _____

CUSTOMER: _____

HG-63
Bushing
 05/03/07



CERTIFICATION DATA

TAG _____
 UNIT _____



MOUNT LOCATION PLAN VIEW

1	2
3	4
5	6
7	8
9	10

MATERIAL FOR ONE SET _____ SET(S) REQUIRED

BY: _____

DATE: _____

DWG#: _____



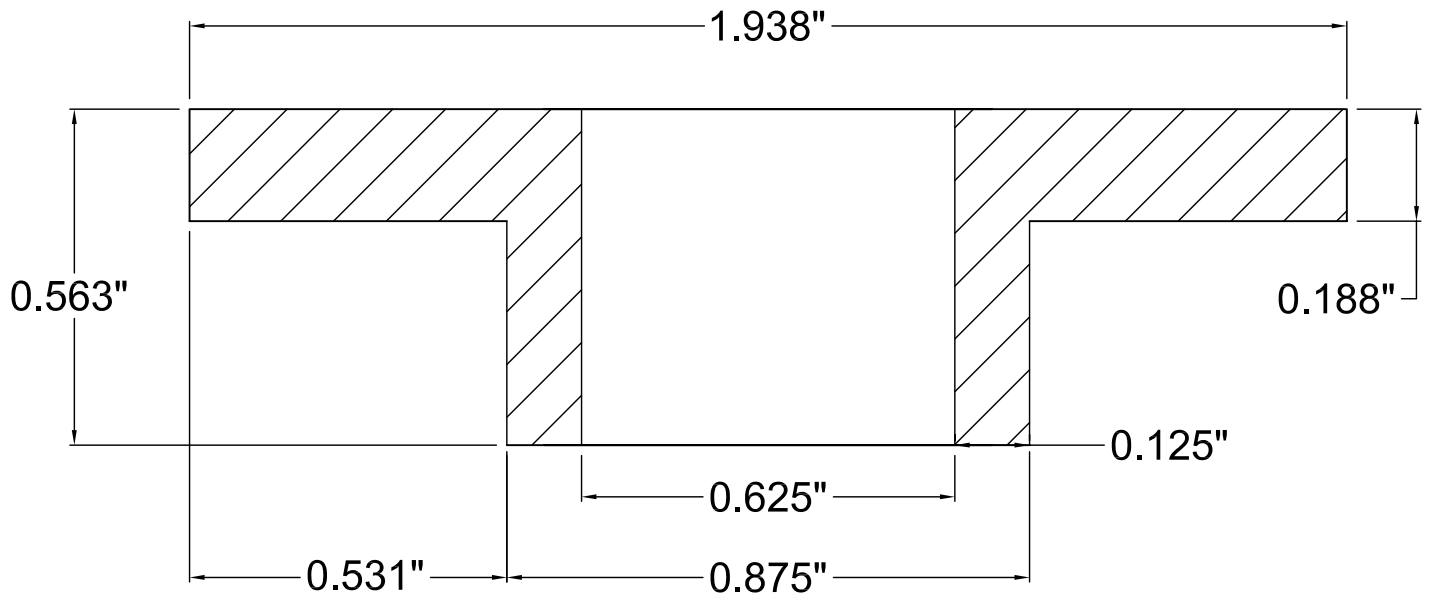
Novia Associates, Inc.
1 Northwestern Dr.
Salem, NH 03079
Ph: 603-898-8600
Fax: 603-898-2755
email: info@
noviaassociates.com

PROJECT: _____

CUSTOMER: _____

HG-63 Bushing

05/03/07



CERTIFICATION DATA

BY:

DATE:

DWG#: